



# Form D-VH

For Vessel Hull Design  
UNITED STATES COPYRIGHT OFFICE

REGISTRATION NUMBER

DVH 0491

DATE OF REGISTRATION/PUBLICATION

Month 10 Day 13 Year 2011

DO NOT WRITE ABOVE THIS LINE. IF YOU NEED MORE SPACE, USE A SEPARATE CONTINUATION SHEET. (Form D-VH/CON)

# 1

TITLE

Please give the make and model of the vessel that embodies the design.

Sea Fox 226

# 2

DESIGN

(a) What is the type or style of the design for which registration is sought?  
Center-console boat

(b) Provide a brief general statement setting forth the salient features of the design.  
Hull form and shape;

Deck configuration and layout; progressive downward strake design on hull

Check here if this is a single design.

Check here if registering more than one design. Use Form D-VH/CON for additional designs.

(c) If this design is derived from an earlier design, describe how that design has been revised, adapted, or rearranged.

# 3

DESIGNER(S)

Provide the name and address of the designer(s). The name of the employer may be given instead of the designer(s) if, (1) the design was made within the regular scope of employment of the designer(s) and (2) the individual authorship of the design is difficult or impossible to ascribe.

Please check here if those conditions are satisfied and you are providing the employer's name.

Name: Sea Fox Boat Company, Inc.

Name:

Address: 2550 Hwy. 52

Address:

Moncks Corner, SC 29461

# 4

OWNER,

IF NOT

DESIGNER(S)

If the owner is different from the designer(s) or employer named above, provide the name and address of the owner:

Name:

Address:

# 5

PRIORITY

CLAIM

(a) Was an application for registration of this design identified in an application filed in a foreign country that extends to designs of owners who are citizens of the United States, or to persons filing applications in the United States, similar protection to that afforded in 17 USC chapter 13?

Yes  No

(b) If yes, identify the country and date of application:  
Country:

Date of application:

Serial No:

# 6

DATE MADE

PUBLIC

Was this design made public before the date of application?  Yes  No

If yes, on what date? February 1 2011  
Month Day Year

DO NOT WRITE HERE  
OFFICE USE ONLY

APPLICATION RECEIVED 9/28/2011

DESIGN COPIES RECEIVED

FUNDS RECEIVED

MORE ON BACK

• Complete all applicable spaces (numbers 7-9) on the reverse side of this page.  
• See detailed instructions. • Sign the form at section 9.

DO NOT WRITE HERE  
Page 1 of pages

EXAMINED BY JJA FORM D-VH

CHECKED BY CA

CORRESPONDENCE

Yes

FOR  
COPYRIGHT  
OFFICE  
USE  
ONLY

DO NOT WRITE ABOVE THIS LINE. IF YOU NEED MORE SPACE, USE A SEPARATE CONTINUATION SHEET. (Form D-VH/CON)

7

Please provide the name and address of the person to whom correspondence regarding this application may be directed:

Name: David Cox, Esq.

CONTACT  
PERSON

Address: 5 Exchange Street

Charleston, SC 29401 Email address dcox@wcsr.com

FAX number 843-723-7398 Daytime phone: ( 843 ) 720-4665

8

Give the name and account number if the registration fee is to be charged to a deposit account established in the Copyright Office:

Name of Account: \_\_\_\_\_

DEPOSIT  
ACCOUNT

Account number: \_\_\_\_\_

9

**DECLARATION:** The undersigned, as the applicant or the applicant's duly appointed agent or representative, being hereby warned that willful false statements are punishable by fine or imprisonment, or both, under 18 USC §1001, and that such willful false statements may jeopardize the validity of this application or any resulting registration, hereby declares to the best of his or her knowledge and belief:

- (1) that the design has been fixed in a useful article;
- (2) that the design is original and was created by the designer(s), or employer if applicable, named in the application;
- (3) that those aspects of the design for which registration is sought are not protected by a design patent;
- (4) that the design has not previously been registered on behalf of the applicant or applicant's predecessor in title; and
- (5) that the applicant is the person entitled to protection and to registration under chapter 13 of title 17, *United States Code*.

Complete if applicable:

The design has been made public with a design notice as prescribed by 17 USC §1306.  
Following is the exact form of the design notice:

Where on the useful article is the design notice located?

If the undersigned is not the applicant, he or she is properly authorized to execute this application on behalf of the applicant.

Signature: \_\_\_\_\_  
 Ryan Balderson  
 Print or type name  
 843-761-6090  
 Telephone number Fax number

Date: 9/20/2011  
 VP of Product Development  
 Position or title  
 rbalderson@seafoxyboats.com  
 Email address

Copyright Office fees are subject to change. For current fees, check the Copyright Office website at [www.copyright.gov](http://www.copyright.gov), write the Copyright Office, or call (202) 707-3000.

Certificate will be mailed in window envelope to this address:

Name ▼	David Cox, Esq.
Number/Street/Apt ▼	5 Exchange Street
City/State/Zip ▼	Charleston, SC 29401

**YOU MUST:**

- Complete all necessary spaces
- Sign your application in space 9

**SEND ALL 3 ELEMENTS IN THE SAME PACKAGE:**

1. Application form
2. Nonrefundable filing fee in check or money order payable to Register of Copyrights
3. Design material

**MAIL TO:**

Dept. D-VH  
Vessel Hull Registration  
PO Box 71380  
Washington, DC 20024-1380

17 USC §1327. Penalty for false representation. "Whoever knowingly makes a false representation materially affecting the rights obtainable under this chapter for the purpose of obtaining registration of a design under this chapter shall pay a penalty of not less than \$500 and not more than \$1,000, and any rights or privileges that individual may have in the design under this chapter shall be forfeited."

SEAFOX 226 Center console

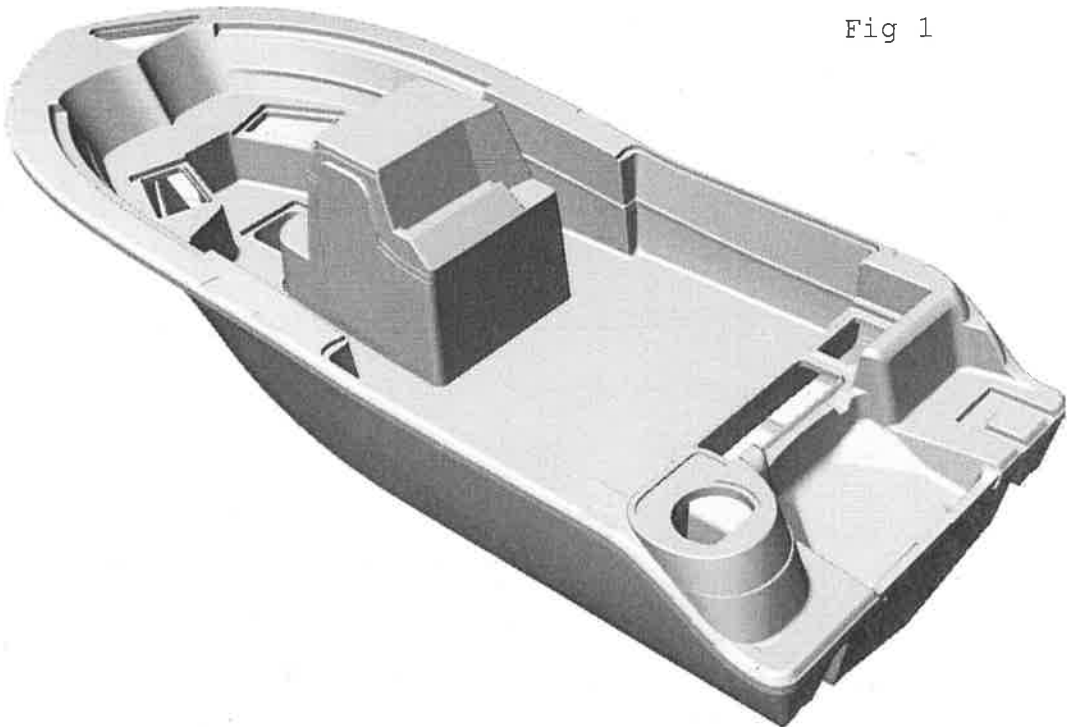


Fig 1

SEAFOX 226 Center console

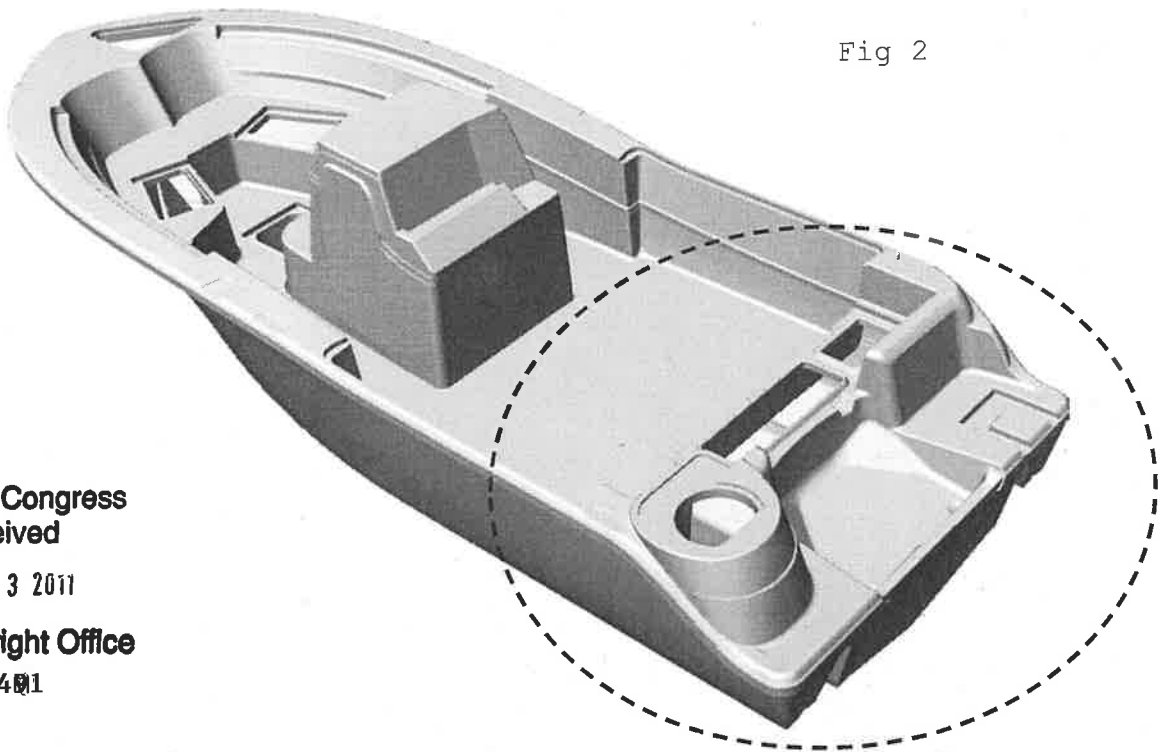


Fig 2

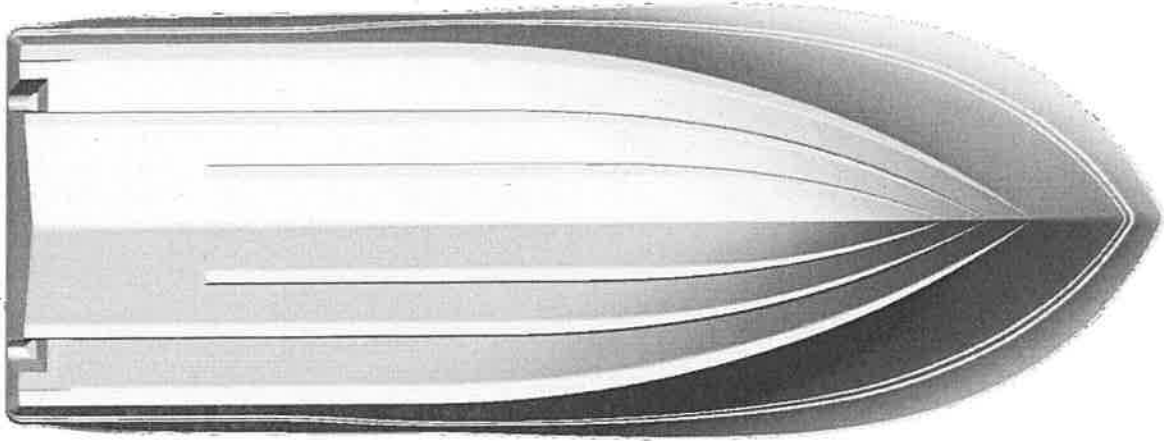
Library of Congress  
Received

OCT 13 2011

U.S. Copyright Office  
DVH 0401

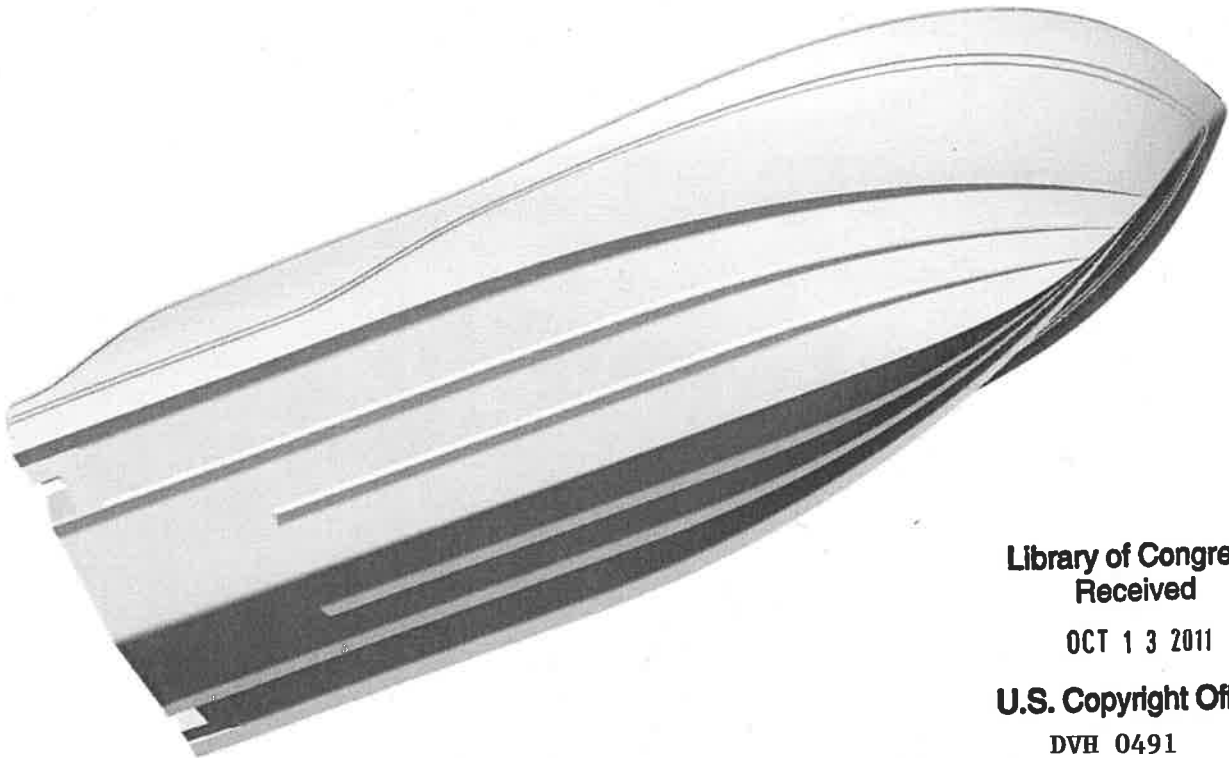
SEAFOX 226 Center console

Fig 3



SEAFOX 226 Center console

Fig 4



**Library of Congress  
Received**

OCT 13 2011

**U.S. Copyright Office**

DVH 0491

SEAFOX 226 Center console

Fig 5

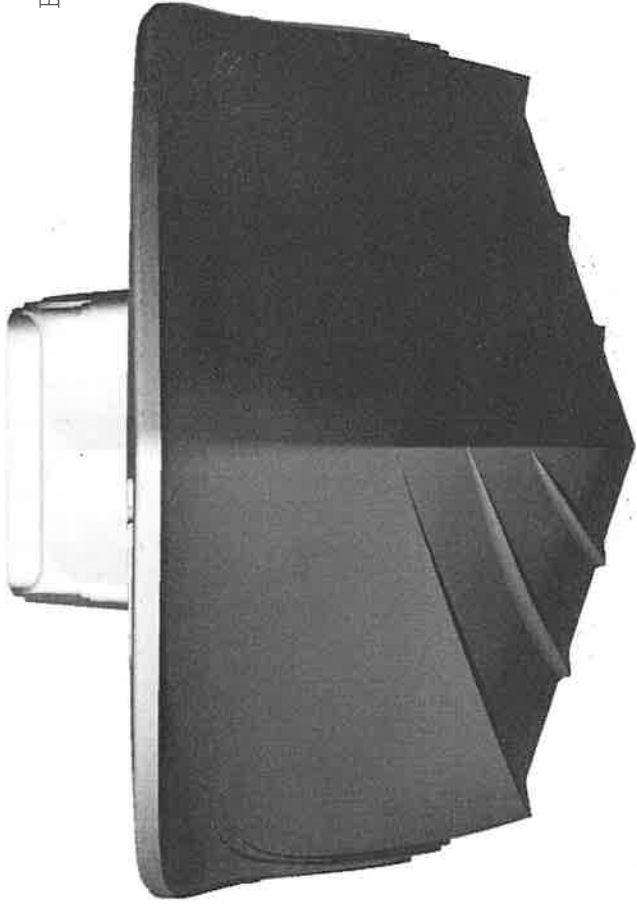
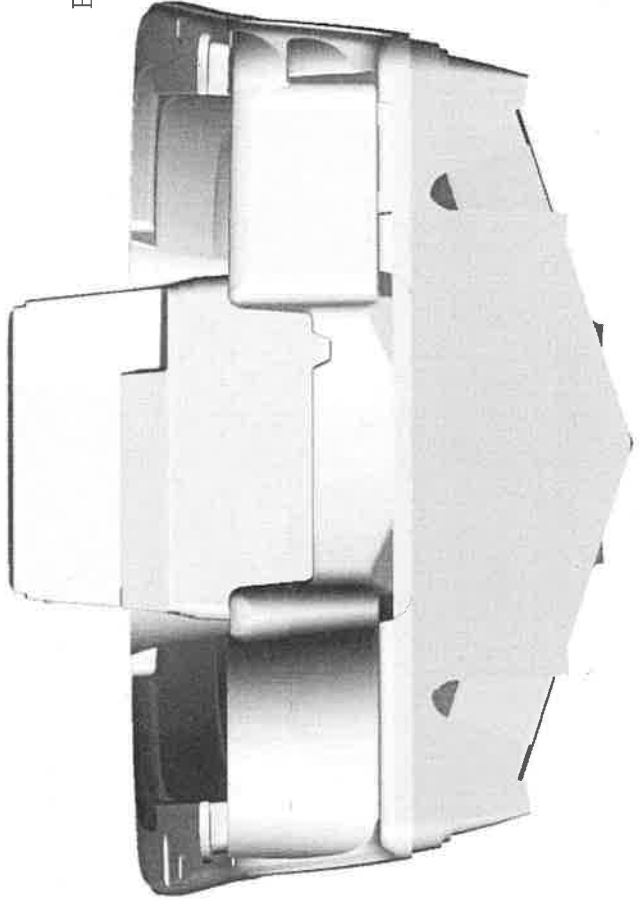


Fig 6



Library of Congress  
Received

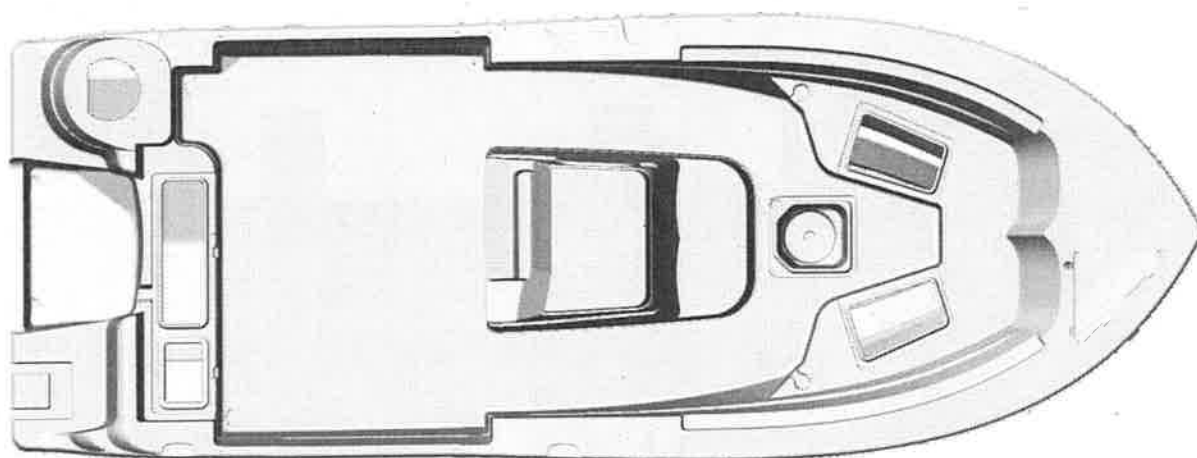
OCT 13 2011

U.S. Copyright Office

DVH 0491

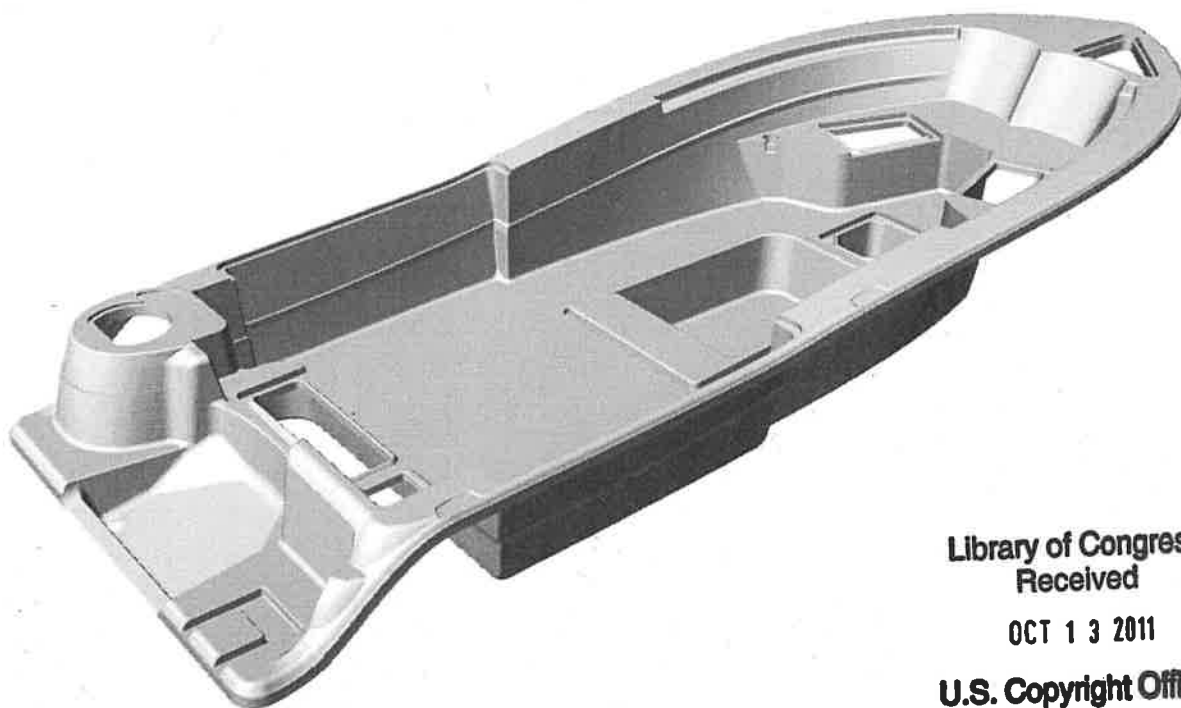
SEAFOX 226 Center console

Fig 7



SEAFOX 226 Center console

Fig 8



Library of Congress  
Received

OCT 13 2011

U.S. Copyright Office  
DVH 0491

Fig 9

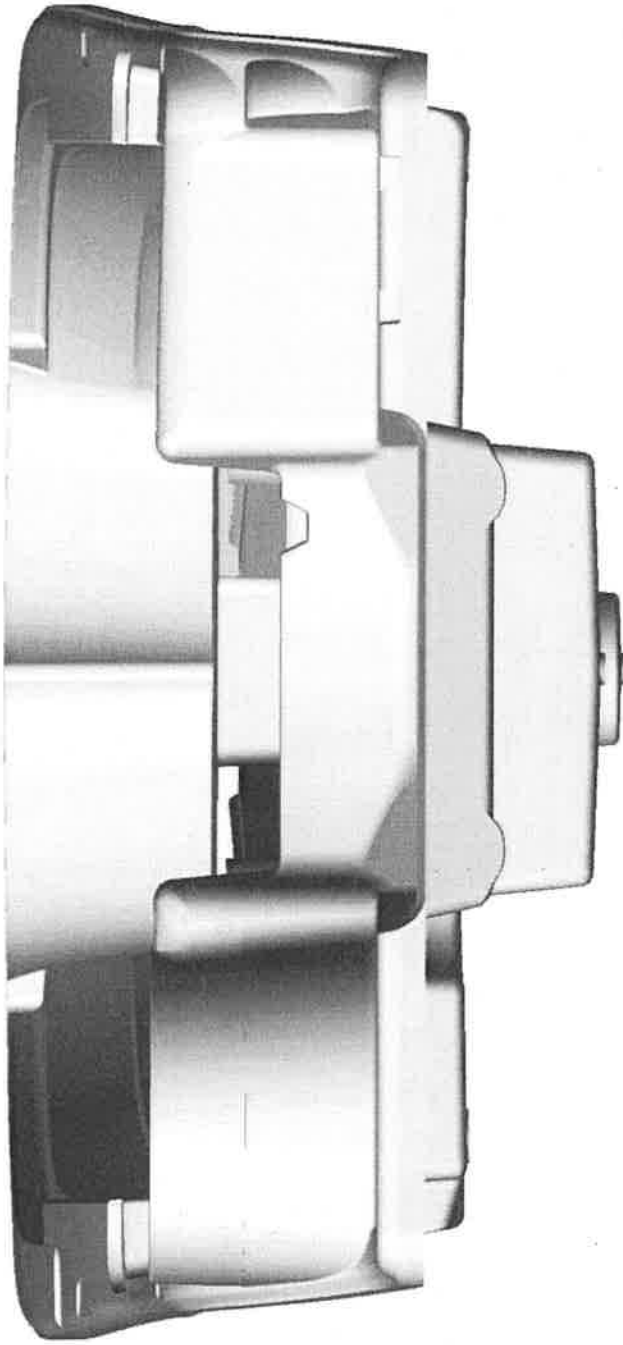
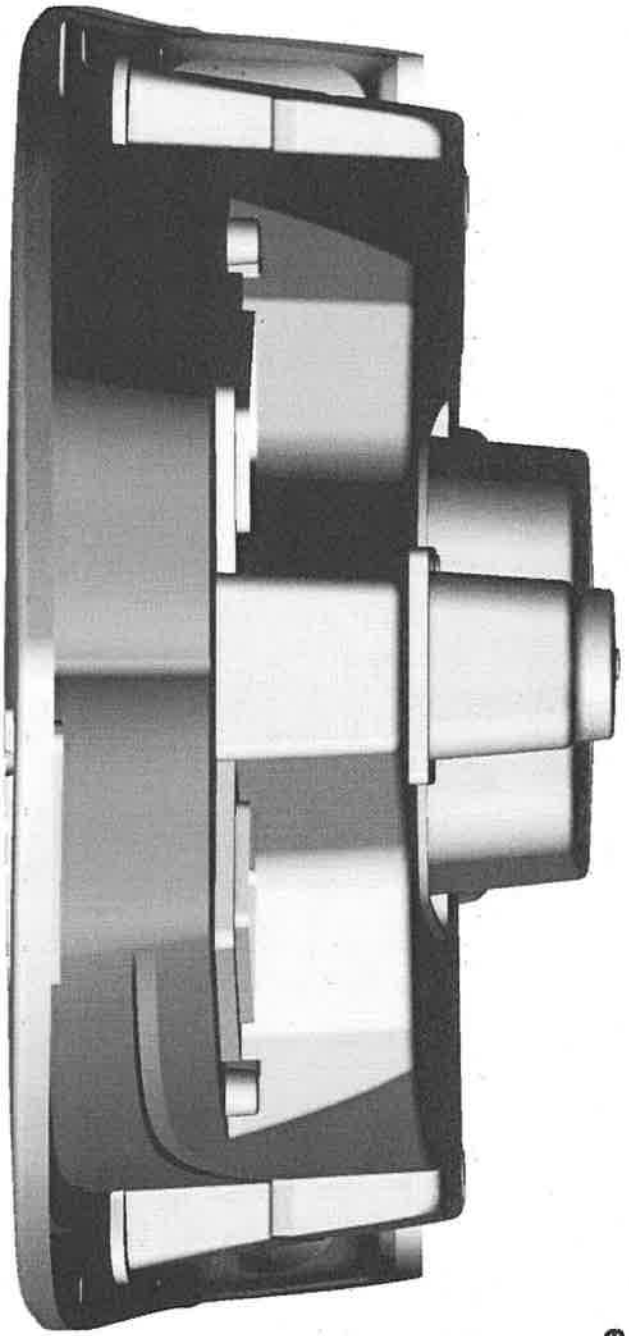


Fig 10



Library of Congress  
Received

OCT 13 2011

U.S. Copyright Office  
DVH 0491



SEAFOX 226 Center console

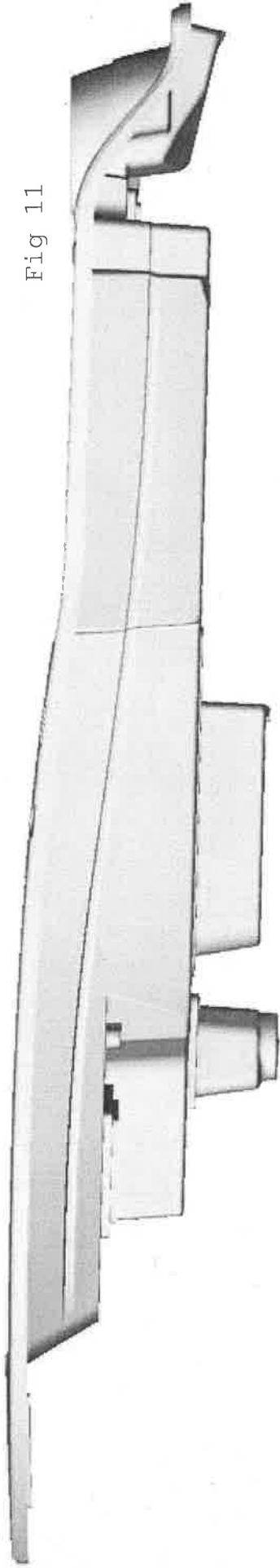


Fig 11

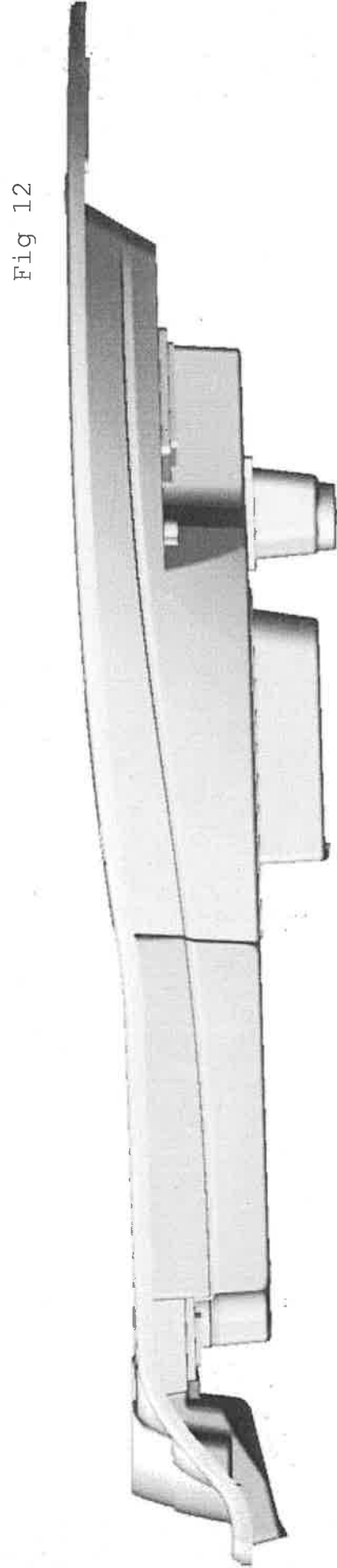


Fig 12

Library of Congress  
Received

OCT 13 2011

U.S. Copyright Office  
DVH 04911



SEAFOX 226 Center console

Fig 13

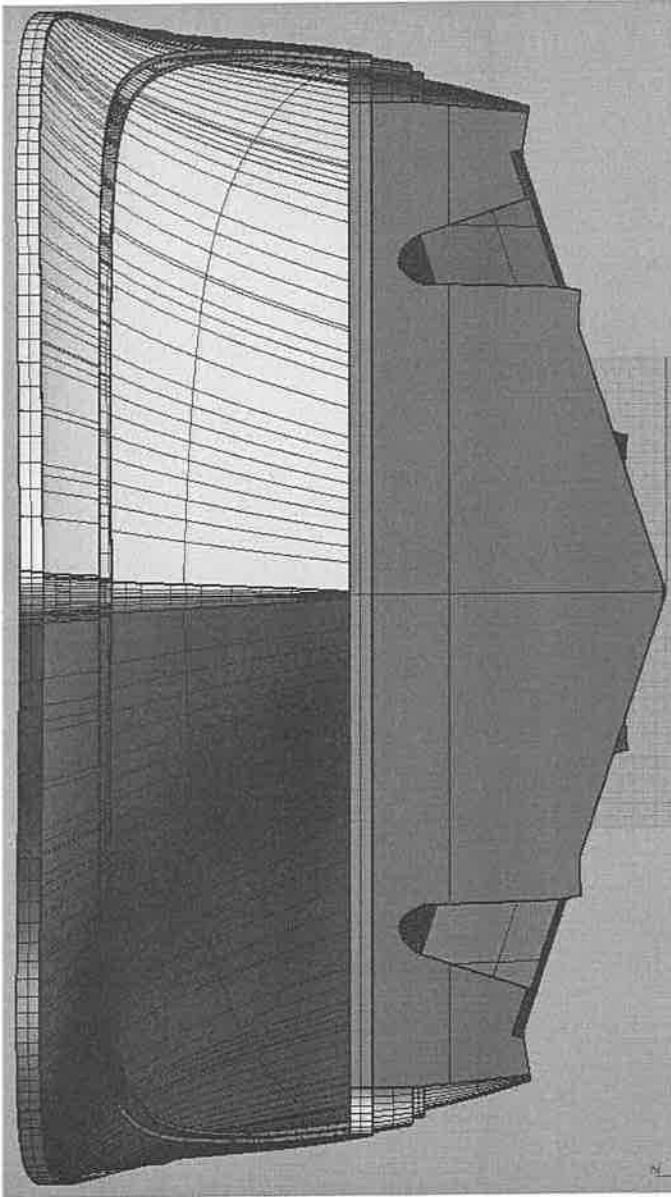
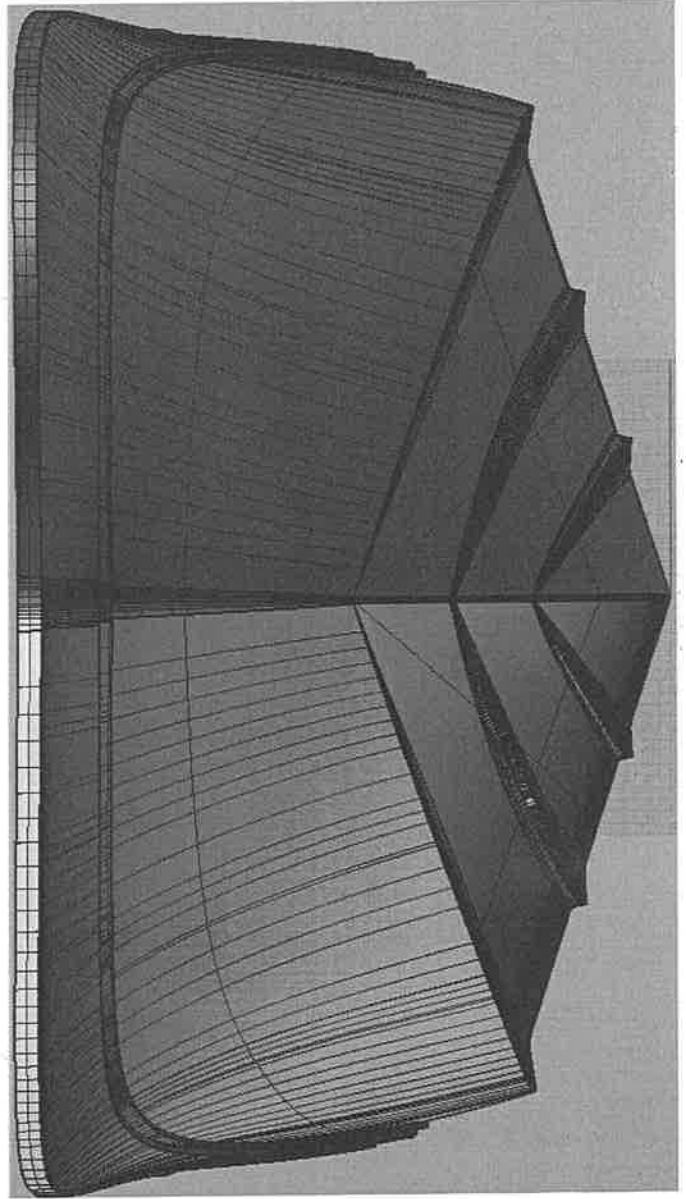


Fig 14



Library of Congress  
Received

OCT 13 2011

U.S. Copyright Office

DVH 0491

SEAFOX 226 Center console

Fig 15

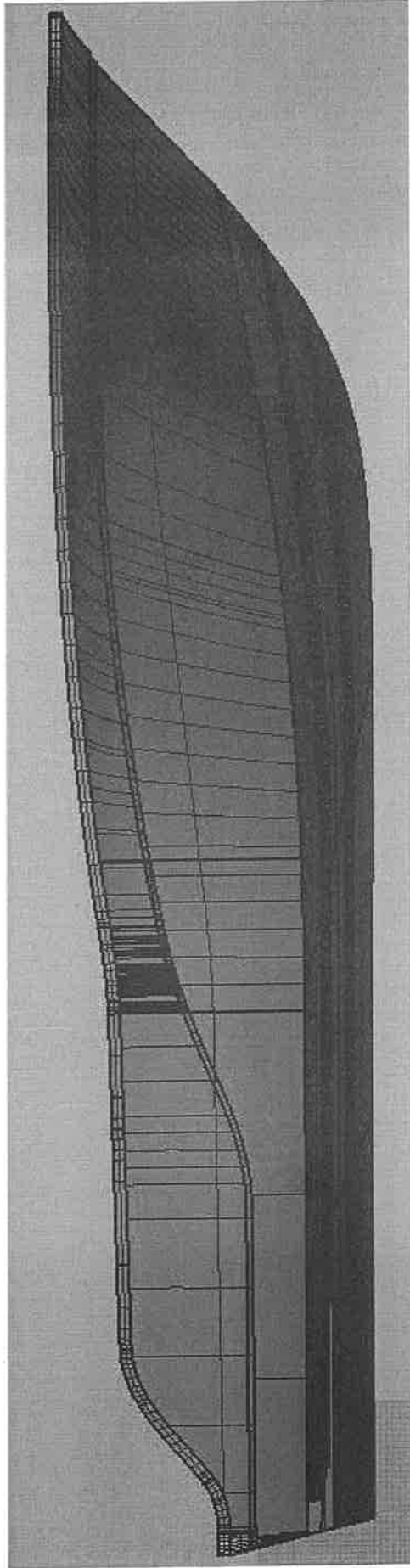
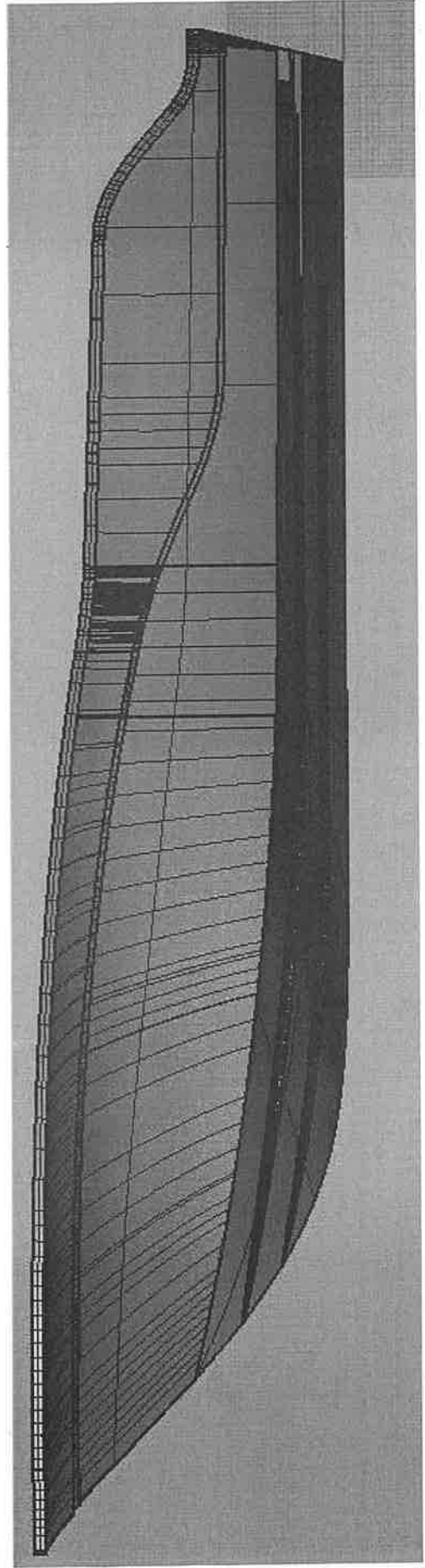


Fig 16



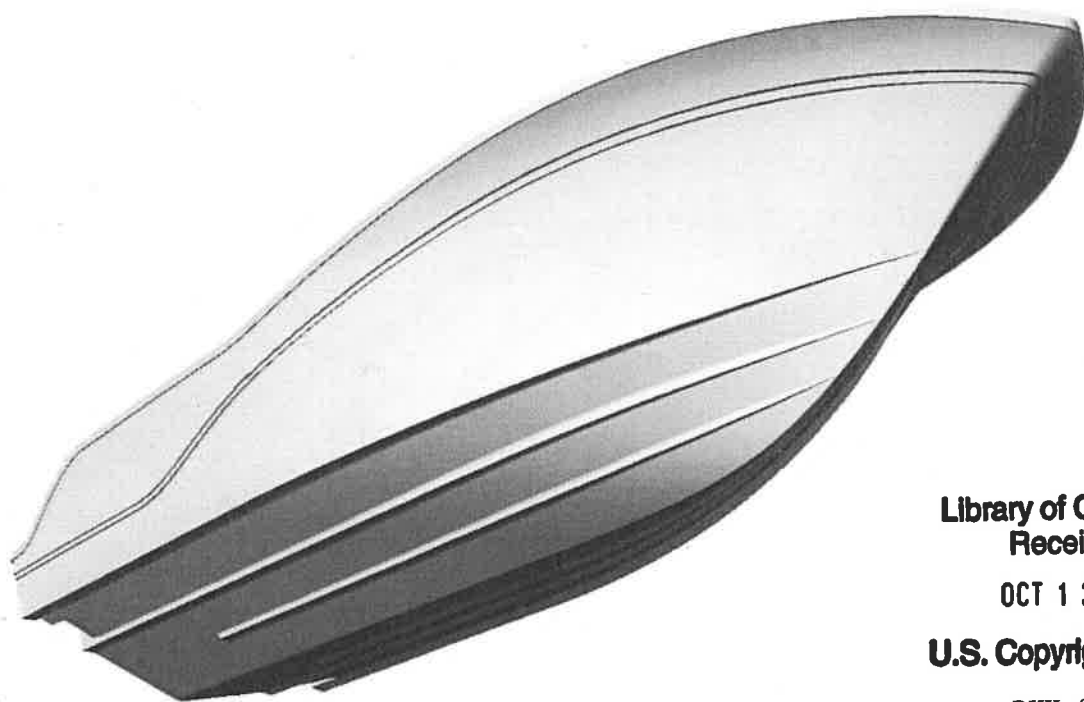
SEAFOX 226 Center console

Fig 17



SEAFOX 226 Center console

Fig 18



**Library of Congress  
Received**

OCT 13 2011

**U.S. Copyright Office**

DVH 0491